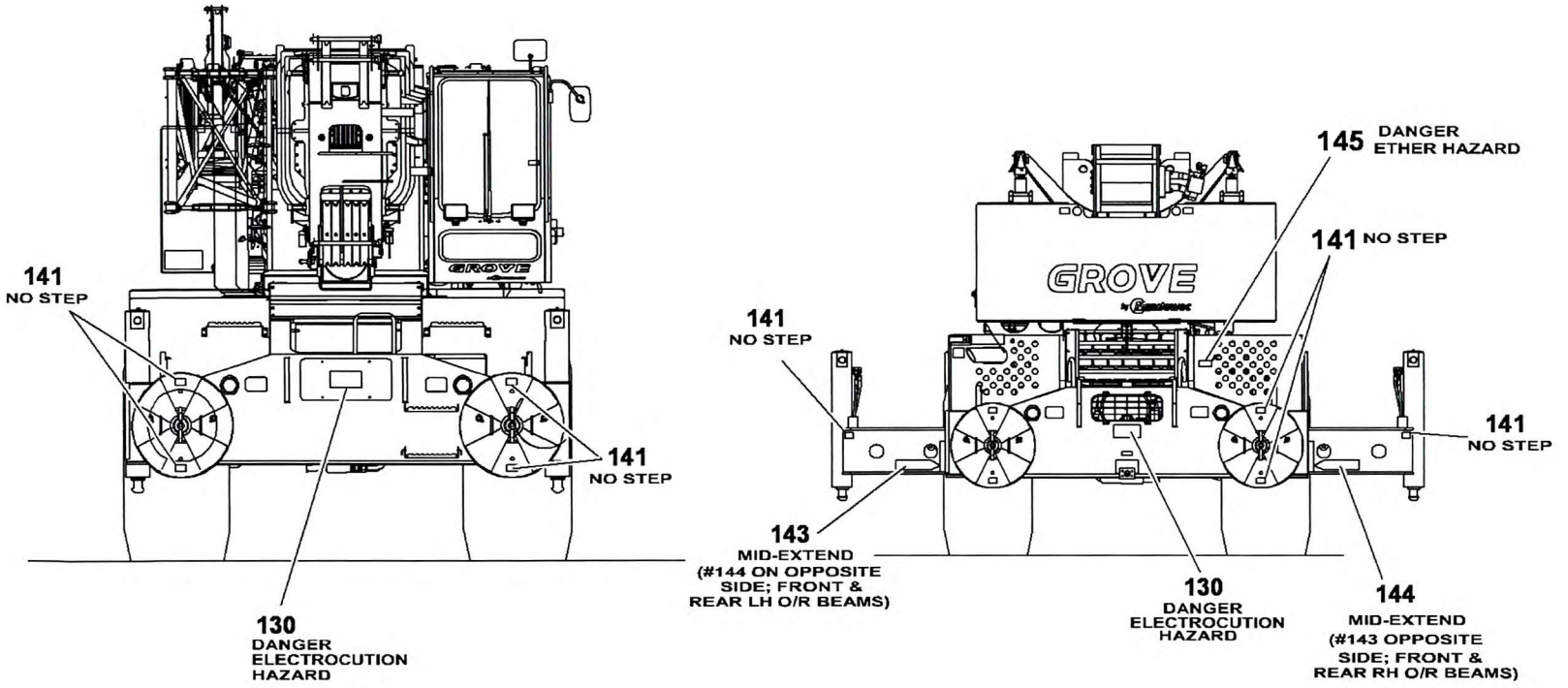
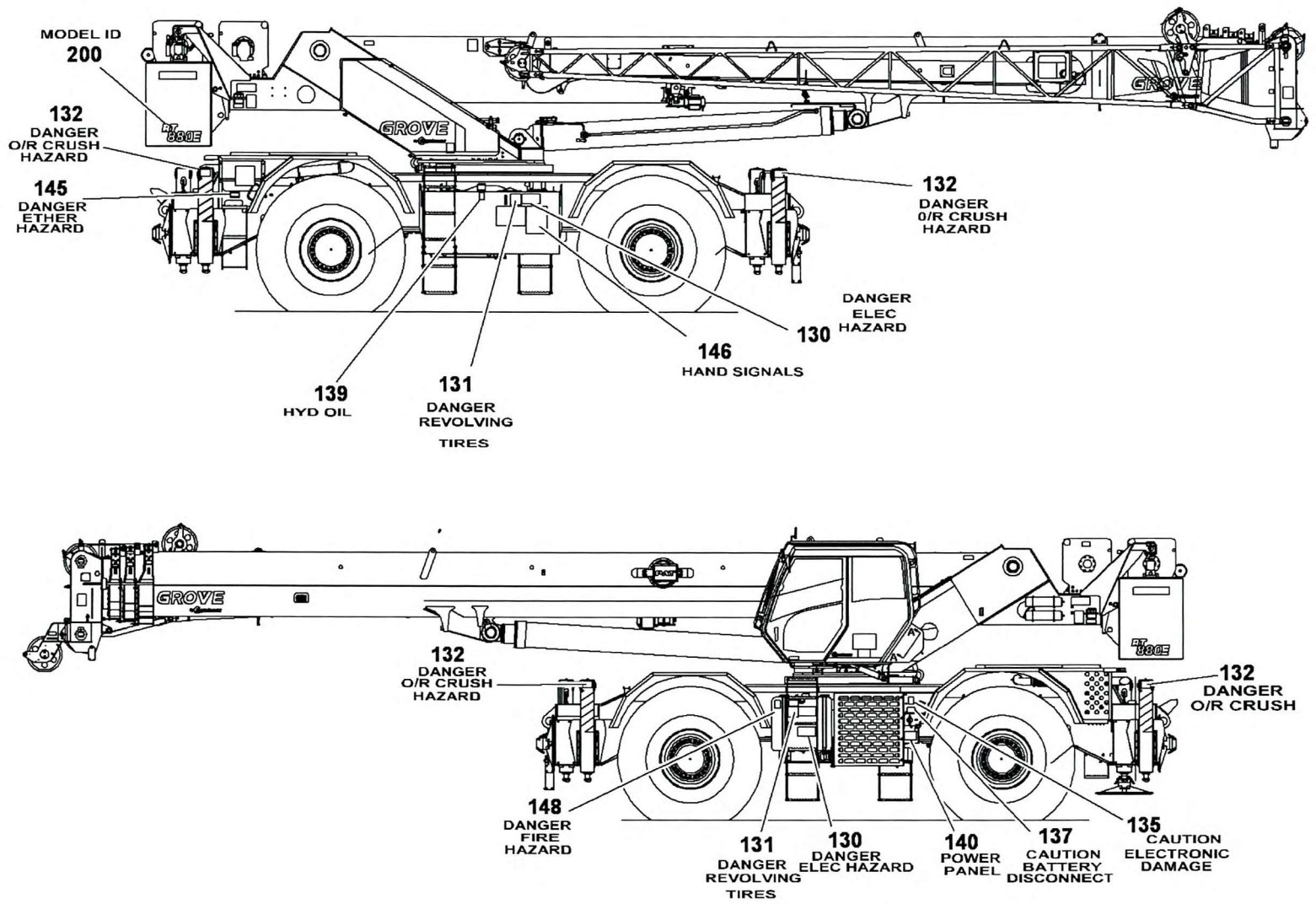


BATTERY COMPARTMENT





80031110

(SHEET 1 OF 4)

Page 814